

***Plate Mounted
Hiflo Fans***

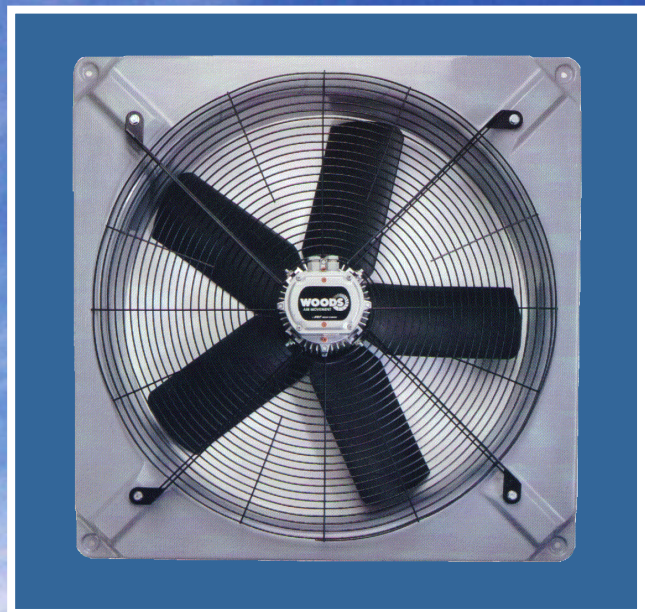


Plate Mounted Hiflo Fans

The Hiflo series of Industrial and Agricultural fans represents the latest technology in high efficiency, low noise air movement.

Designed and engineered by Flaktwoods, the Hiflo fan is reliable, simple to install and competitively priced.

Mounting Plate

An attractive glass reinforced polyester moulding incorporating bellmouth entry and impeller track, ensures maximum fan performance. Protrusions on the moulding allow the guard to be mounted above the plate surface, thus eliminating the chance of guard vibration and creating an obstruction free bellmouth entry. Due to the properties of the materials used in manufacture, the mounting plate is a chemical, weather and ultraviolet resistant product.

Motor

The Hiflo fan has a totally enclosed squirrel-cage induction motor having an extruded body and die cast aluminium end shields.

The motor assembly provides:

Protection	-	to IP55 (<i>Hoseproof</i>)
Insulation	-	to Class F
Temp. rise	-	to Class B
Operating temp.	-	-40°C to +50°C

Overheat protection is provided on all single phase motors

Vibration Isolation

The motor / impeller assembly is isolated from the mounting plate to reduce the transmission of vibrations.

This is achieved by the use of high grade rubber mounts designed and produced specifically for the Hiflo range. This vibration isolation will ensure a long maintenance free product life, and reduce noise due to vibration being transmitted in walls and partitions.

Overload Protection

To protect the motor against overloading or single phasing (on 380v units), matched starters are available for each fan.

Note: Single phase and overload protection must be provided. Failure to do so will invalidate the guarantee.

Impeller

The impeller is moulded in polypropylene, with asymmetrically spaced aerofoil section blades. The 800, 900 and 1000mm impellers are of variable pitch configuration.

Protective Guard

A spiral wound guard, ensures protection on the motor side of the fan. The guard is galvanized to inhibit corrosion due to chemicals or oxidation.

Hazardous environment

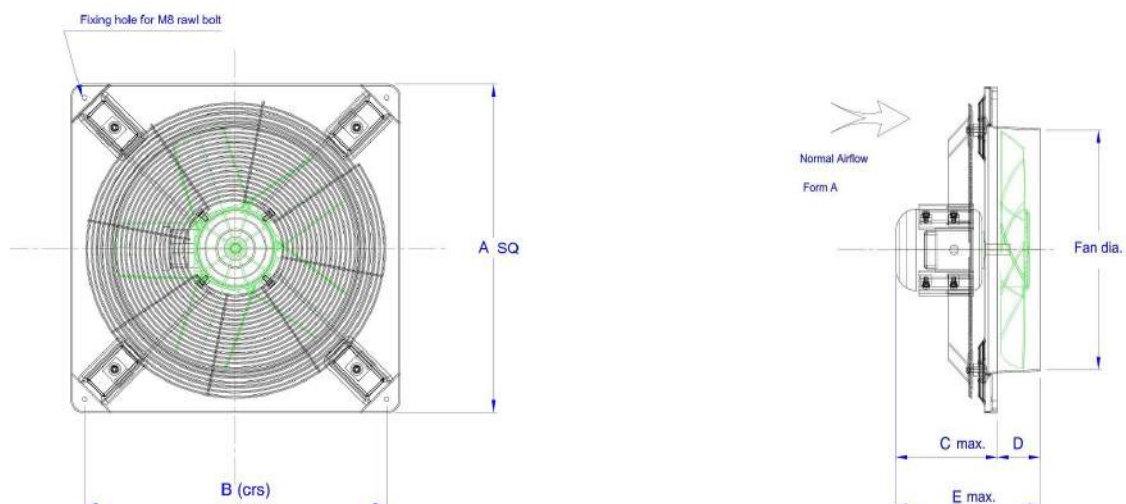
Flameproof, Sparkproof, Satmos treatment and epoxy coated versions are available for hazardous environments.

Performance & Technical Specifications

FAN DETAILS						FAN PERFORMANCE											ELECTRICAL DATA				
Dia. mm	Poles	Part No		RPM	Sound Level dB(A)	m³/s @ Pa (Static)											Rating kW	220v		380v	
		220v	380V			0	10	25	50	75	100	125	150	200	250	300		F.L.A	S.C.A	F.L.A	S.C.A
280	2	H28021	H28022	2800	63	0.68	0.68	0.67	0.65	0.64	0.62	0.60	0.57	0.50	0.33		0.55	3.8	10.6	1.4	4.9
280	4	H28041	H28042	1400	46	0.36	0.34	0.33	0.27								0.18	2.4	6.6	0.9	3.2
280	6	H28061	H28062	900	39	0.24	0.23	0.22									0.12	1.1	3.1	0.6	2.1
315	2	H31521	H31522	2800	66	1.00	1.00	0.98	0.96	0.94	0.92	0.90	0.87	0.80	0.71	0.57	0.55	3.8	10.6	1.4	4.9
315	4	H31541	H31542	1400	50	0.53	0.51	0.48	0.42	0.31							0.18	2.4	6.6	0.9	3.2
315	6	H31561	H31562	900	40	0.34	0.32	0.26									0.12	1.1	3.1	0.6	2.1
355	2	H35521	H35522	2800	68	1.43	1.43	1.40	1.38	1.34	1.32	1.29	1.25	1.20	1.15	1.00	0.55	3.8	10.6	1.4	4.9
355	4	H35541	H35542	1400	53	0.75	0.73	0.70	0.64	0.54							0.18	2.4	6.6	0.9	3.2
355	6	H35561	H35562	900	43	0.50	0.47	0.41									0.12	1.1	3.1	0.6	2.1
400	4	H40041	H40042	1400	56	1.11	1.08	1.05	0.98	0.89	0.73						0.18	2.4	6.6	0.9	3.2
400	6	H40061	H40062	900	47	0.72	0.68	0.61									0.12	1.1	3.1	0.6	2.1
450	4	H45041	H45042	1400	61	1.71	1.68	1.63	1.53	1.41	1.27	1.01					0.37	2.7	7.5	1.2	4.2
450	6	H45061	H45062	900	51	1.09	1.03	0.93	0.65								0.12	1.1	3.1	0.6	2.1
500	4	H50041	H50042	1400	62	2.62	2.38	2.33	2.23	2.12	1.99	1.84	1.68				0.55	3.9	10.8	1.7	5.8
500	6	H50061	H50062	900	51	1.62	1.56	1.47	1.28	1.06							0.25	2.1	5.7	0.7	2.3
560	4	H56041	H56042	1400	66	3.39	3.35	3.28	3.17	3.04	2.91	2.76	2.58	2.20			1.10	7.4	20.6	2.8	9.8
560	6	H56061	H56062	900	54	2.17	2.10	1.98	1.76	1.48							0.55	4.6	12.9	1.9	6.7
670	6	H67061	H67062	900	59	3.31	3.22	3.08	2.85	2.57	2.20	1.62					0.55	4.6	12.9	1.9	6.7
670	8	-	H67082	650	52	2.42	2.29	2.10	1.68								0.37			1.3	4.6
710	4	-	H71042	1440	71	8.40	8.30	8.25	8.10	7.80	7.70	7.50	7.30	6.80	6.00		4			9.4	32.7
710	6	H71061	H71062	900	60	3.60	3.51	3.12	2.83	2.44	1.83						0.55	4.6	12.9	1.9	6.7
710	8	-	H71082	650	53	2.73	2.60	2.30	1.98	0.98							0.37			1.3	4.6
800	4	-	H80042	1440	72	9.20	9.10	9.00	8.80	8.50	8.30	8.00	7.60	6.80	6.00		4			9.4	32.7
800	6	H80061		900	63	5.80	5.70	5.60	5.40	5.20	4.80	4.50	4.20				1.35	8.7	5.2		
800	6	-	H80062	900	63	6.40	6.30	6.20	5.90	5.60	5.30	5.00	4.60				1.50			3.8	13.3
900	6	-	H90062	900	67	8.80	8.60	8.50	8.30	8.10	7.70	7.40	7.00	6.00			2.20			5.9	20.7
900	8	-	H90082	650	62	7.60	7.50	7.30	6.70	6.20	5.40						1.50			4.5	15.8
1000	6	-	H100062	900	71	10.20	10.00	9.80	9.20	8.40	7.80	6.70					2.20			5.9	20.7
1000	8	-	H100082	650	63	8.20	8.80	7.70	7.20	6.80	6.20	5.40					1.50			4.5	15.8

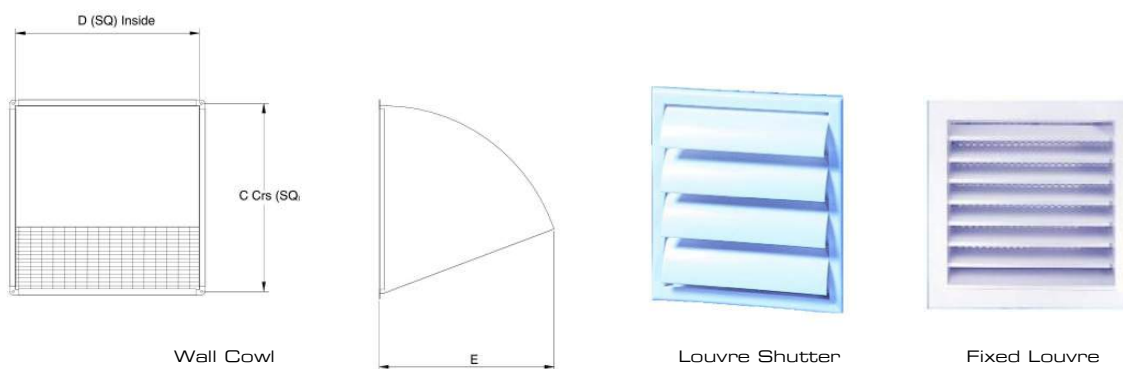


Dimensions



Fan Size	A	B	C	D	E	Hole in Wall (mm)	Carton Size SQ x H (mm)	Weight
280	420	343	130	110	240	300	429 x 324	8
315 - 355	475	419	130	110	240	375	504 x 324	8
400 - 450	572	516	130	110	240	470	599 x 324	12
500 - 560	680	624	156	110	266	580	709 x 324	17
670 - 710	855	800	156	110	266	730	884 x 324	22
800	1010	950	371	175	540	840	1455 x 565	65
900	1105	1045	371	175	540	940	1215 x 565	68
1000	1245	1185	371	175	540	1040	1315 x 565	72

Ancillaries



Fan Size	Wall Cowl				Louvre Shutter			Fixed Louvre		
	D	C	E	Part No	Inside SQ	Outside SQ	Part No	Inside SQ	Outside SQ	Part No
280 - 355	375	419	399	10203	399	489	10212	399	459	400722
400 - 450	466	516	496	10204	496	586	10214	496	556	400723
500 - 560	568	624	604	10205	604	694	10216	604	664	400724
670 - 710	733	800	780	10206	-	-	-	780	840	400725
800	934	950	908	88797	-	-	-	950	1010	400735
900	1030	1045	998	88799	-	-	-	1045	1105	400736
1000	1170	1185	1130	88798	-	-	-	1185	1245	400737

Precise Air Management

Fläkt Woods is a global leader in air management. We specialise in the design and manufacture of a wide range of air climate and air movement solutions. And our collective experience is unrivalled.

Our constant aim is to provide systems that precisely deliver required function and performance, as well as maximise energy efficiency.

Solutions for all your air climate and air movement needs

Fläkt Woods is the only company in the UK capable of providing total system solutions from the following portfolio:

● Fans

Advanced axial, centrifugal and boxed fans for general and specialist applications. Comprehensive range including high temperature and ATEX compliant options. Engineered for energy efficiency and minimised life cycle cost.

● Air Handling Units (AHUs)

Modular, compact and small AHU units. Designed to ensure optimisation of indoor air quality, operational performance and service life.

● Chillers

Air-cooled and water-cooled chillers with cooling capacity up to 1800kW. Designed to minimise annual energy consumption in all types of buildings.

● Chilled beams

Active induction beams for ventilation, cooling and heating, and passive convection beams for cooling. For suspended or flush-mounted ceiling installation – and multi-service configuration. With unique Comfort Control and Flow Pattern Control features.

● Smoke control and car park ventilation systems

Unique approach to car park ventilation, aided and optimised by Computational Fluid Dynamics (CFD) software. Complete turnkey solutions for designing, installing and commissioning mechanical and natural smoke ventilation.

● Controls and drives

Variable speed drives and control systems, all tested to ensure total compatibility with our products. Specialist team can advise on energy saving and overall system integration.

● Technical Site Services

Our dedicated team providing comprehensive post-installation services. Including condition-based contract monitoring, preventative and routine maintenance, refurbishment and system upgrades.

Fläkt Woods operates a policy of continuous development and improvement. Accordingly, the Company reserves the right to supply products that may differ from those illustrated and described in this publication. Certified dimensions will be supplied on request on receipt of order.

FWG/JRG/JFB-03/0810

Actom Mechanical Equipment
Corner of Branch & Alpha Roads
Driehoek, Germiston
Tel (011) 8716789 Fax(011)8716677
email nuno.pereira@actom.co.za www.flaktwoods.com

FläktWoods